

Calmark offers the Series 100-1 Guide Entry Enhancement for optimum card entry on metal louver card guides.

FEATURES

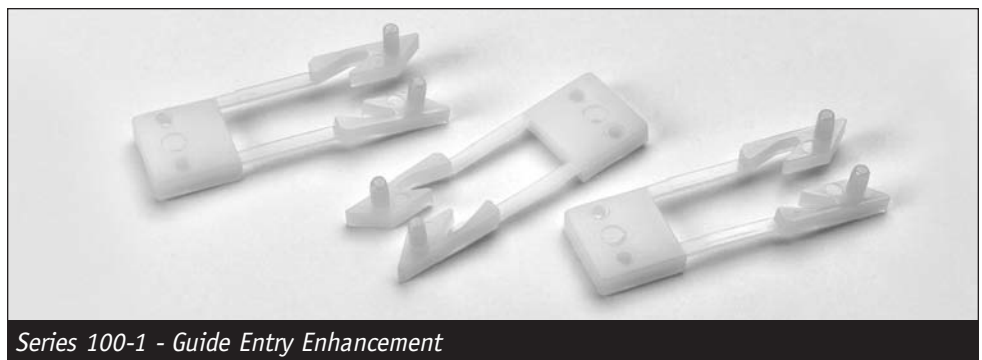
- Wide lead-in for easy card entry
- Easy and secure snap-on design
- Fits most all metal louver card guides
- Available in colors for card position coding
- Economical

MATERIAL

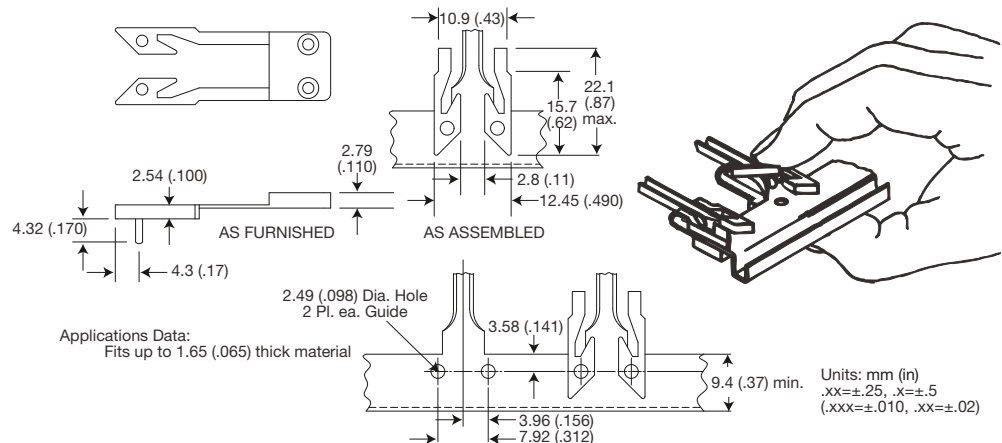
Nylon 6/6. Meets UL 94V-2. Self extinguishing to flame. May be used at 121°C (250°F) continuously. Resistant to alkalis, weak acids, and common solvents.

COLOR

Standard color is natural (white). Additional colors: For other colors append BLK, BRN, RED, ORG, YEL, GRN, BLU, VIO or GRY to part number.



Series 100-1 - Guide Entry Enhancement



Calmark offers the Series 115-287 Card Guide, a most unique design in PC card guides. The Series 115-287 Card Guide allows users of louver or lance type card guides to easily change to an insulated nylon card guide with a minimum modification of strength and air flow.

FEATURES

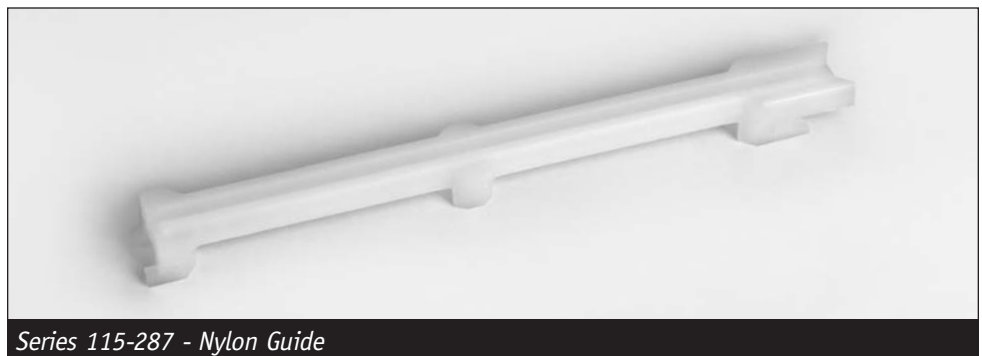
- Available for 1.61 (.063) and 2.43 (.094) thick printed circuit boards
- Unique snap-on design
- Secure and easy installation
- Wide lead-in for easy card entry
- No mounting hardware required
- Metal web support provides strength and rigidity
- Narrow profile for excellent airflow
- No mounting holes required
- Economical

MATERIAL

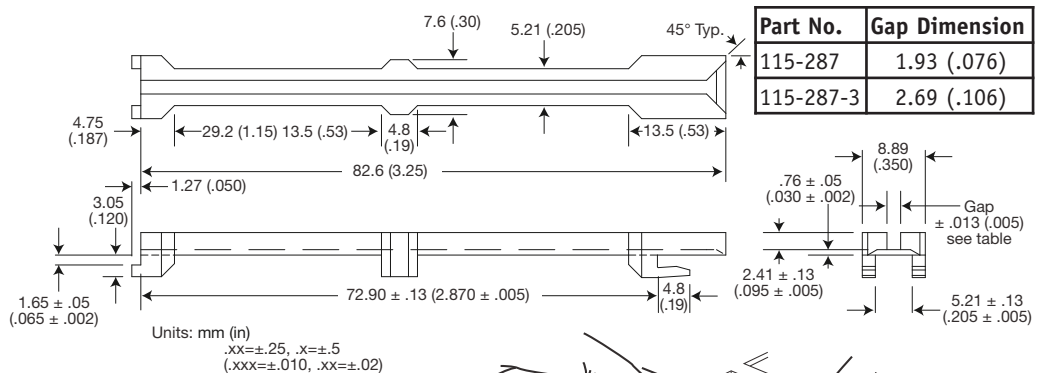
Nylon 6/6. Meets UL 94V-2. Self extinguishing to flame. May be used at 121°C (250°F) continuously. Resistant to alkalis, weak acids, and common solvents.

COLOR

Standard color is natural (white). Additional colors: For other colors append BLK, BRN, RED, ORG, YEL, GRN, BLU, VIO or GRY to part number.

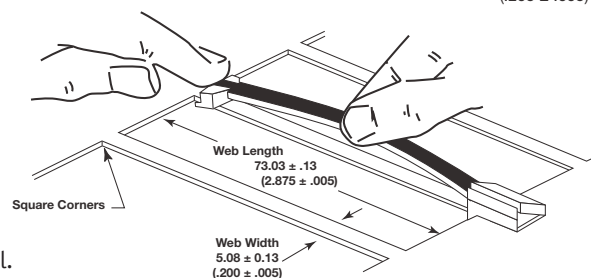


Series 115-287 - Nylon Guide



APPLICATION DATA

1. Slip front end of guide on first.
 2. Bow guide and tuck back under.
- Fits up to 1.65 (.065) thick material.





Series 120 - Nylon Guide



Series C120 - Nylon Guide (conductive)

Calmark offers the Series 120 and C120 snap-in PCB Plastic Card Guide.

120 FEATURES

- Easy and secure snap-in design
- Extra deep guide
- Wide lead-in for easy card entry
- No mounting hardware required
- Narrow profile for excellent airflow
- Mid-span mounting point option for greater stability
- Available in 1.6 (.063) and 2.4 (.094) board gap widths
- Economical

Series C120 includes the above features plus:

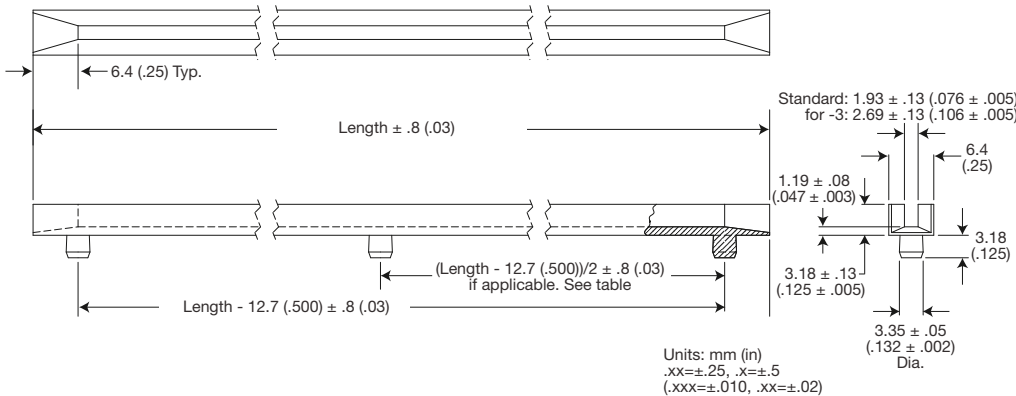
- Molded in conductive material
- Provides surface resistivity of 10^5 per square

MATERIAL

- Series 120:** Nylon 6/6 or 6. Meets UL94V-2 self extinguishing to flame or UL94V-0 (see part number configuration). May be used at 121°C (250°F) continuously. Resistant to alkalis, weak acids and common solvents.
- Series C120:** 10% Graphite Filled Polycarbonate. Meets UL94V-2.

COLOR

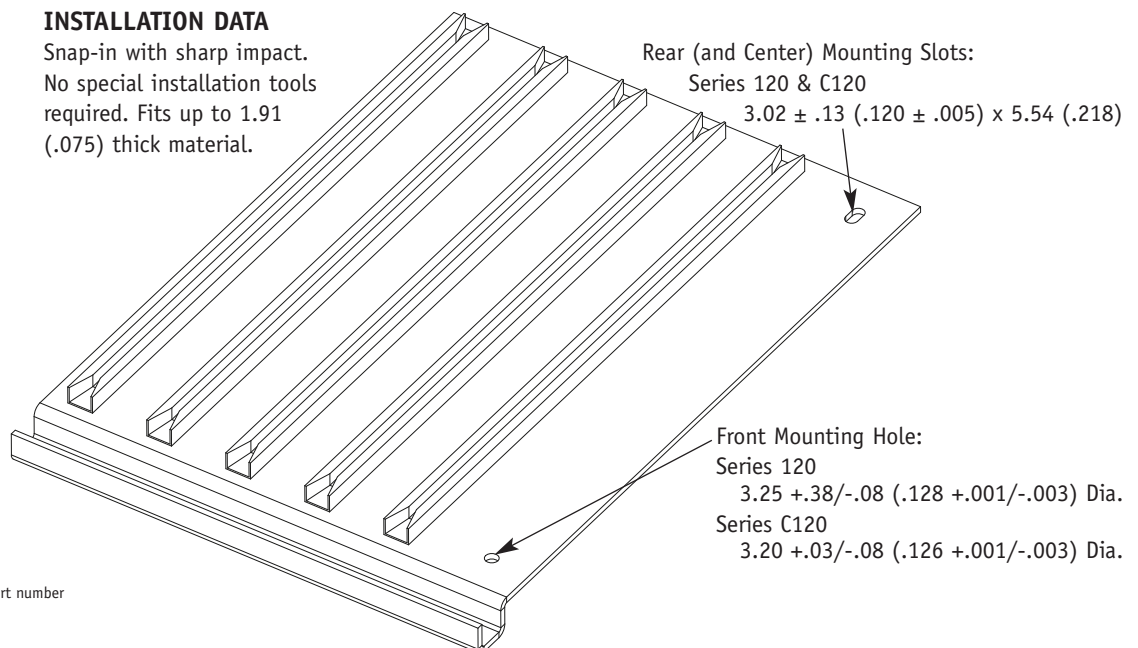
- Series 120:** Standard color is natural (white). For other colors append BLK, BRN, RED, ORG, YEL, GRN, BLU, VIO or GRY to part number.
- Series C120:** available in black only.



| Part No. | Length |
|-----------|---------------|
| 120-400 | 101.6 (4.00) |
| 120-600 | 152.4 (6.00) |
| 120-700 | 177.8 (7.00)* |
| 120-700X | 177.8 (7.00) |
| 120-850 | 215.9 (8.50)* |
| 120-850X | 215.9 (8.50) |
| 120-950 | 215.9 (9.50)* |
| C120-400 | 102.1 (4.02) |
| C120-600 | 153.2 (6.03) |
| C120-700 | 178.8 (7.04)* |
| C120-700X | 178.8 (7.04) |
| C120-850 | 216.9 (8.54)* |
| C120-850X | 216.9 (8.54) |
| C120-950 | 242.6 (9.55) |

INSTALLATION DATA

Snap-in with sharp impact. No special installation tools required. Fits up to 1.91 (.075) thick material.



*indicates presence of a mid mounting post.
 For 2.4 (.094) thick pcb, include a "-3" suffix to part number
 For UL94V-0 option add "V0" prefix to part number